

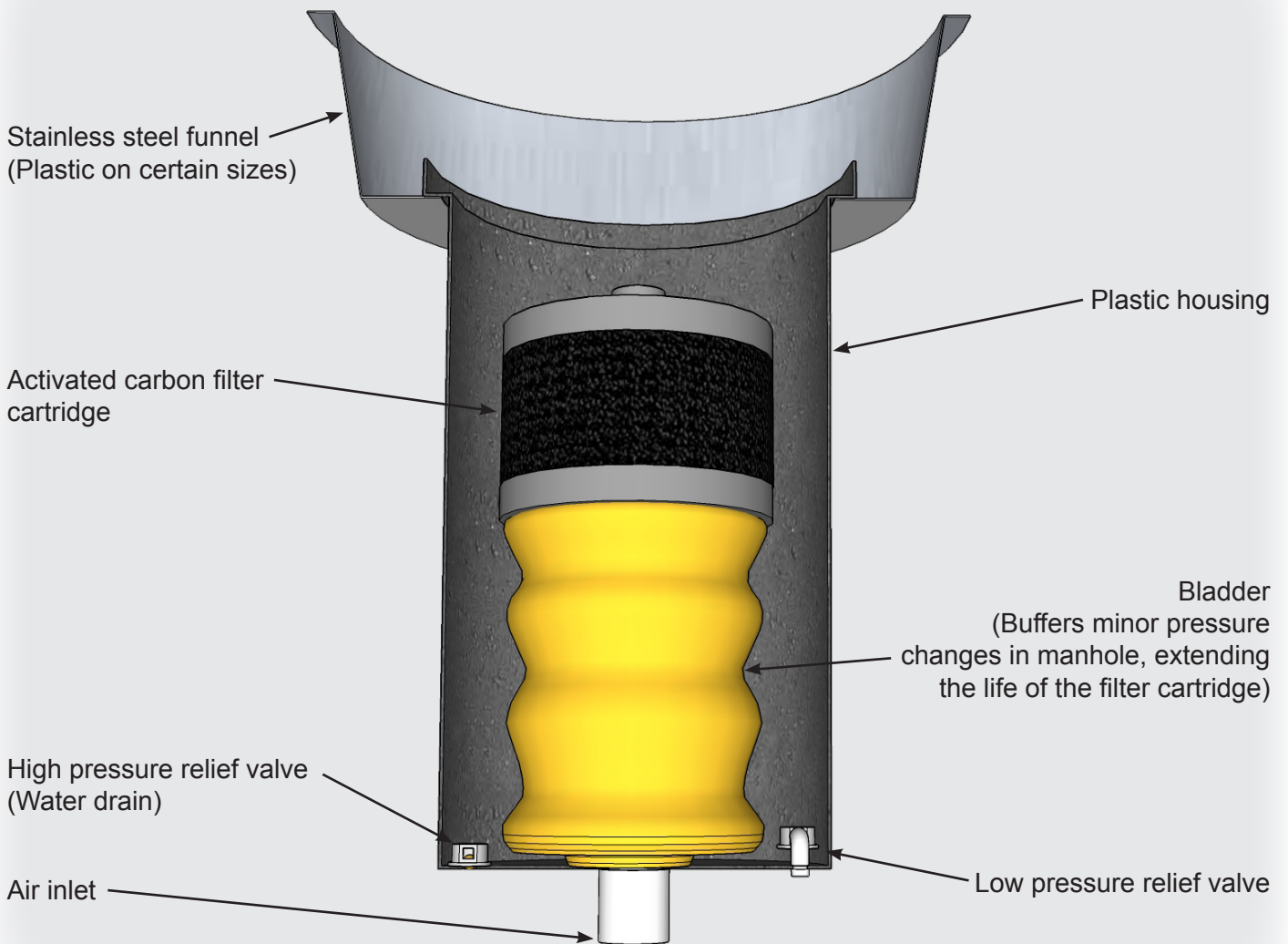


Manhole Odor Eliminator

Patent Pending

www.ManholeOdorEliminator.com

- Controls Odors
- Low Cost
- Easy Installation
- Contains odor absorbent carbon
- Long Lasting
- Replaceable Filter Cartridge
- Low Maintenance
- Fits all size manholes



The manhole odor eliminator is a carbon filter system designed to remove odors from sewer vents and other manholes. Each filter cartridge contains odor absorbent activated carbon. This filter can remove large amounts of hydrogen sulfide and other odors from sewer manholes. Call today for sizing and information.

Inventive Resources, Inc.
P.O. Box 1316
5038 Salida Blvd. Salida, CA 95368
Phone 209.545.1663 Fax 209.545.3533
email: info@wdfilters.com

Rev 050912