



Manhole Odor Eliminator

Clean Treated Air

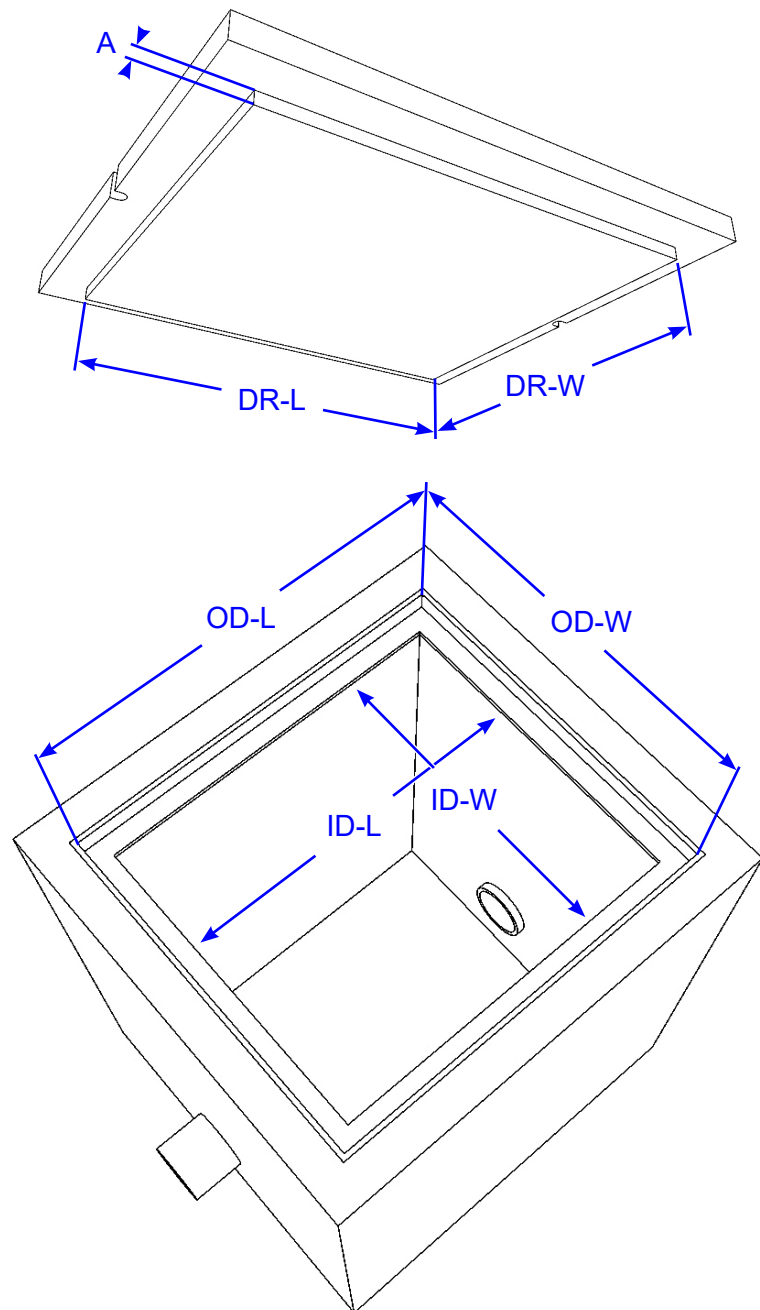


Sizing Guide - Rectangular Manhole Cover

Patented

www.ManholeOdorEliminator.com

The following information is required for proper installation of the Manhole Odor Eliminator. Please measure all required dimensions of cover and manhole.



Company: _____

Name: _____

Phone: _____

Email: _____

Date: _____

Manhole ID: _____

OD-L: Outside length of lip _____

OD-W: Outside width of lip _____

ID-L: Inside length of opening _____

ID-W: Inside width of opening _____

DR-L: Drop ring length _____

(Drop ring dimensions do not apply to flat manhole covers)

DR-W: Drop ring width _____

A: Drop ring depth _____

B: Depth of manhole _____

